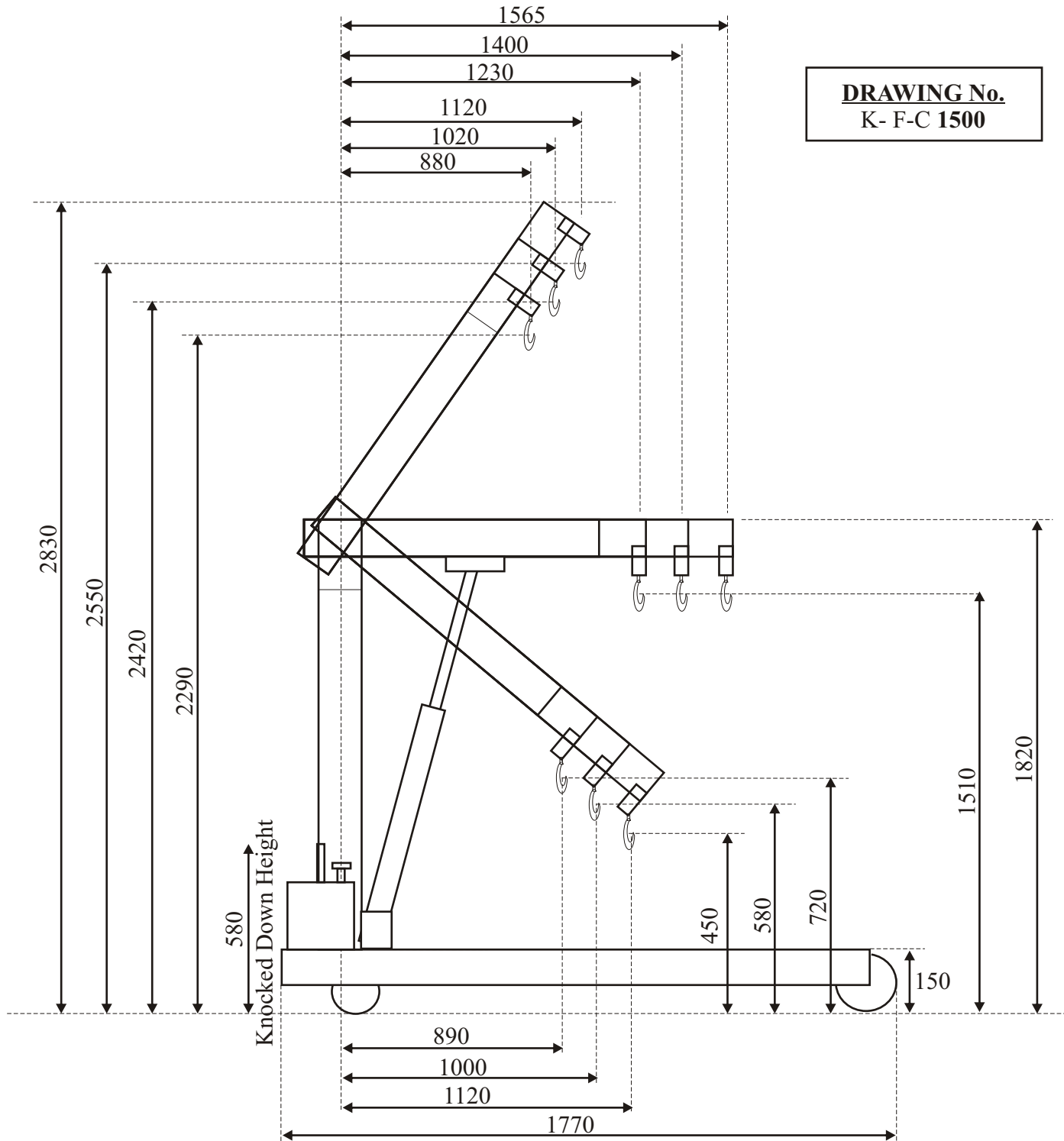
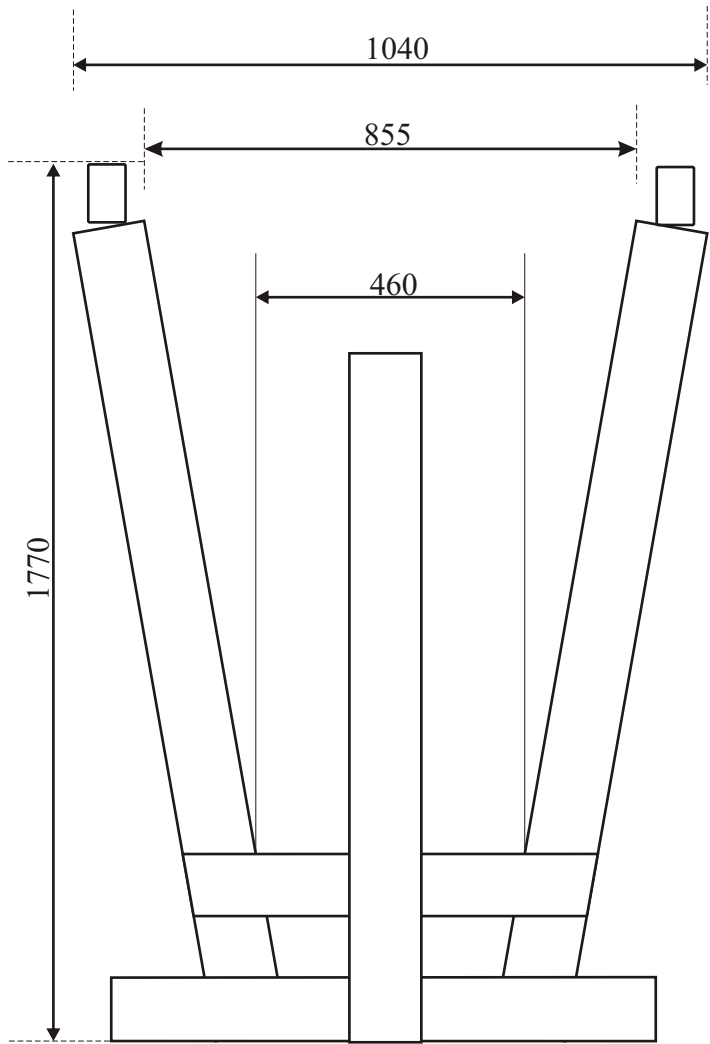


DRAWING No.
K- F-C 1500



MAX. LOAD AT POSITIONS

	1	2	3
Kg	1500	1250	1000