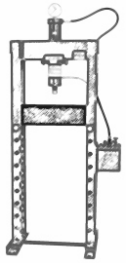


CAM EQUIPMENT

TELEPHONE: 01761 434226
 FAX No.: 01761 435541
 WEB SITE: WWW.CAMequipment.co.uk
 E-Mail: Enquiries@CAMequipment.co.uk



FROME HILL, RADSTOCK, Nr BATH, BA3 3PY
 MANUFACTURERS OF QUALITY GARAGE & WORKSHOP EQUIPMENT SINCE 1972

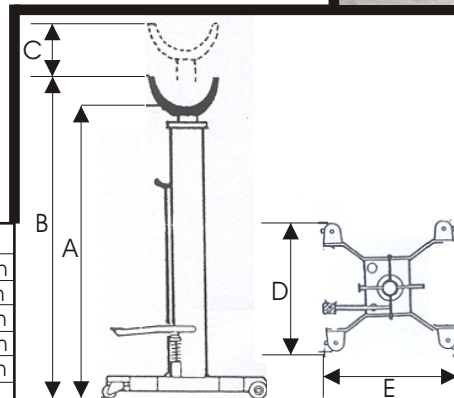
TRANSMISSION JACK SSJ 10

HEAVY DUTY EXTRA HIGH LIFT TRANSMISSION JACK 1000 KG CAPACITY

The Model SSJ10 has been designed to facilitate dismantling and assembly of gear boxes, shafts, clutch units, suspensions and engines in cars and commercial vehicles. The extra high single lift transmission jack has been engineered specifically for use inside a workshop pit.

All these operations can be done by a single operator, reducing service time and increasing workshop efficiency.

- ★ Ideal for use inside a Workshop Pit or under vehicle lifts.
- ★ Smooth Hydraulic operation for precise raising and lowering.
- ★ Manual hydraulic lift, operated via foot pump.
- ★ Automatic relief valve prevents overloading.
- ★ Lowering is controlled by a hand lever.
- ★ Mounted on four swivel castors.
- ★ Easy to control, on cast-iron castors.
- ★ Safety strap to retain load on cradle.
- ★ Extra high lift.
- ★ CE marked.
- ★ One year warranty.



SPECIFICATION		SSJ10
MIN HEIGHT CRADLE	A	1290 mm
MIN OVERALL HEIGHT	B	1390 mm
LIFTING HEIGHT	C	830 mm
WIDTH	D	780 mm
LENGTH	E	760 mm
CAPACITY		1000 Kg

The policy of CAM Equipment is one of continuous improvement and the right is therefore reserved to modify design or specification without prior notice the contents of this leaflet do not constitute an offer but are descriptions only.