

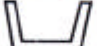



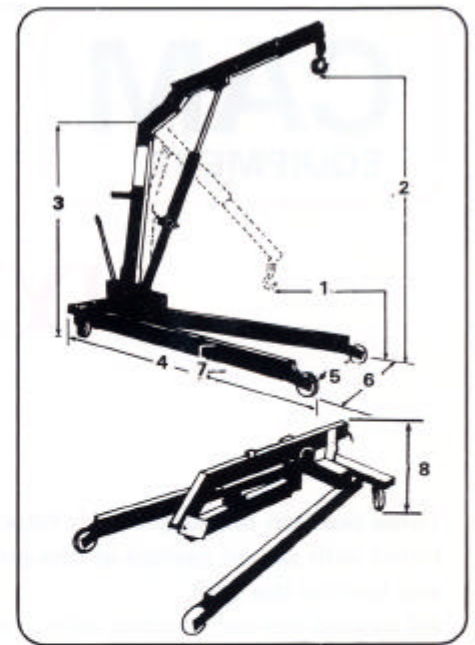
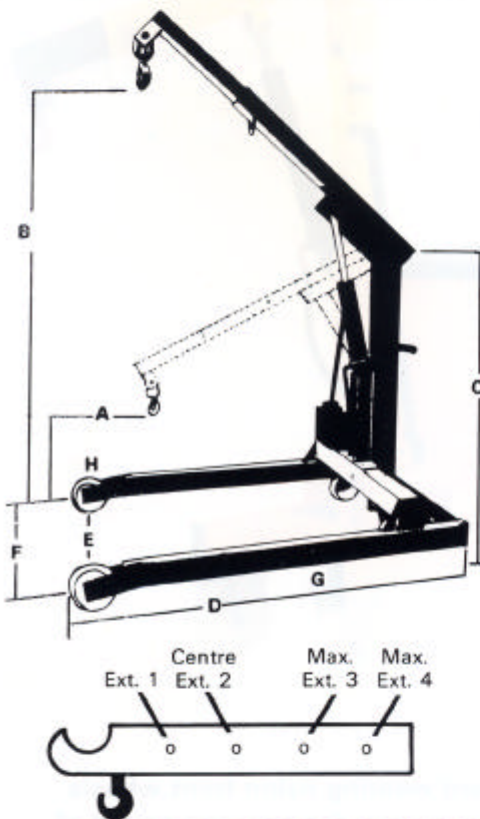


# FOLDING CRANE SPECIFICATIONS

Model No.	¼ tonne FC-250	½ tonne FC-500	¾ tonne KFC-750	1 tonne KFC-1000	1½ tonne KFC-1500	2 tonne KFC-2000
Capacity Position 1	245 Kg	508 Kg	750 Kg	1000 Kg	1500 Kg	2000 Kg
Capacity Position 2	178 Kg	381 Kg	600 Kg	750 Kg	1250 Kg	1500 Kg
Capacity Position 3	102 Kg	254 Kg	500 Kg	500 Kg	1000 Kg	1000 Kg
Min. Height Hook to Ground (1)	460 mm	460 mm	265 mm	265 mm	450 mm	500 mm
Max. Height Hook to Ground (2)	2270 mm	2270 mm	2235 mm	2235 mm	2550 mm	2720 mm
Column Height (3)	1750 mm	1750 mm	1615 mm	1615 mm	1820 mm	1880 mm
Overall Base Length (4)	1495 mm	1495 mm	1690 mm	1690 mm	1770 mm	1870 mm
Max. Width Between Legs (5)	620 mm	620 mm	790 mm	790 mm	855 mm	960 mm
Max. Overall Width (6)	780 mm	780 mm	950 mm	950 mm	1040 mm	1170 mm
Height to Top of Legs	125 mm	125 mm	130 mm	160 mm	150 mm	225 mm
Diameter of Wheels	100 mm	100 mm	100 mm	125 mm	125 mm	150 mm
Knock Down Height (8)	400 mm	400 mm	610 mm	620 mm	580 mm	660 mm
Weight	85 Kg	85 Kg	100 Kg	130 Kg	200 Kg	210 Kg
LEG STRADDLE ARRANGEMENT						



# HEAVY DUTY CRANE SPECIFICATION



Model No.	1 tonne FC-1000	1½ tonne FC-1500	2 tonne FC-2000	2½ tonne FC-2500	3 tonne FC-3000
Capacity	1000 Kg	1500 Kg	2000 Kg	2500 Kg	3000 Kg
Minimum Extension (1)	925 mm	950 mm	1220 mm	1300 mm	1340 mm
Capacity	750 Kg	1250 Kg	1750 Kg	2000 Kg	2000 Kg
Centre Extension (2)	1145 mm	1090 mm	1360 mm	1490 mm	1520 mm
Capacity	500 Kg	1000 Kg	1000 Kg	1750 Kg	1500 Kg
Maximum Extension (3)	1330 mm	1240 mm	1500 mm	1700 mm	1700 mm
Capacity	—	—	—	1250 Kg	1000 Kg
Maximum Extension (4)	—	—	—	1900 mm	1840 mm
Minim Height Hook to Ground (A)	525 mm	700 mm	950 mm	680 mm	930 mm
Maximum Height Hook to Ground (B)	2295 mm	2320 mm	2855 mm	2950 mm	2750 mm
Column Height	1690 mm	1680 mm	1850 mm	2230 mm	1750 mm
Overall Base Length (D)	1555 mm	1560 mm	1710 mm	2070 mm	1785 mm
Maximum Width Between Legs (E)	780 mm	770 mm	835 mm	1100 mm	1090 mm
Maximum Overall Width (F)	950 mm	940 mm	1040 mm	1310 mm	1280 mm
Height to Top of Legs (G)	150 mm	160 mm	200 mm	240 mm	220 mm
Diameter of Wheel	125 mm	125 mm	150 mm	200 mm	150 mm
Knock Down Height	630 mm	630 mm	710 mm	750 mm	730 mm
Weight	150 Kg	160 Kg	190 Kg	300 Kg	350 Kg

# COUNTERBALANCE TROLLEY CRANE SPECIFICATION

Model No.	152 Kg CTC-152	254 Kg CTC-254	508 Kg CTC-508	750 Kg CTC-750	1000 Kg CTC-1000
Capacity Position 1	152 Kg	254 Kg	508 Kg	750 Kg	1000 Kg
Capacity Position 2	102 Kg	178 Kg	381 Kg	600 Kg	750 Kg
Capacity Position 3	76 Kg	102 Kg	254 Kg	500 Kg	500 Kg
Maximum Height Hook to Ground Position 1	2060 mm	2080 mm	2350 mm	2350 mm	2350 mm
Maximum Height Hook to Ground Position 2	2230 mm	2240 mm	2490 mm	2490 mm	2490 mm
Maximum Height Hook to Ground Position 3	2370 mm	2350 mm	2730 mm	2730 mm	2730 mm
Minimum Height Hook to Ground Position 1	910 mm	1010 mm	800 mm	800 mm	800 mm
Minimum Height Hook to Ground Position 2	810 mm	890 mm	670 mm	670 mm	670 mm
Minimum Height Hook to Ground Position 3	710 mm	490 mm	420 mm	420 mm	420 mm
Column Height	1620 mm	1800 mm	1850 mm	1850 mm	1850 mm
Overall Base Length	990 mm	1220 mm	1470 mm	1470 mm	1470 mm
Base Width	540 mm	580 mm	640 mm	640 mm	640 mm
Wheel Diameter	125 mm	200 mm	200 mm	200 mm	200 mm
Weight Without Counterweight	135 Kg	180 Kg	220 Kg	250 Kg	265 Kg
Weight of Counterweight Required for Maximum Capacities	200 Kg	249 Kg	320 Kg	675 Kg	900 Kg